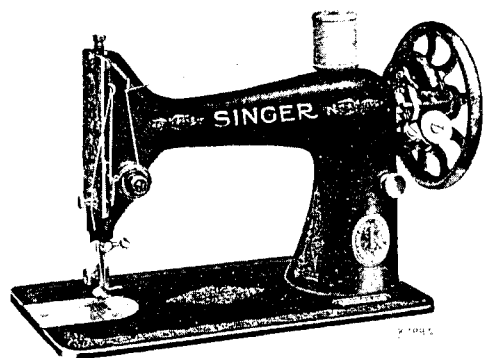


SINGER
99K13,K21,K22

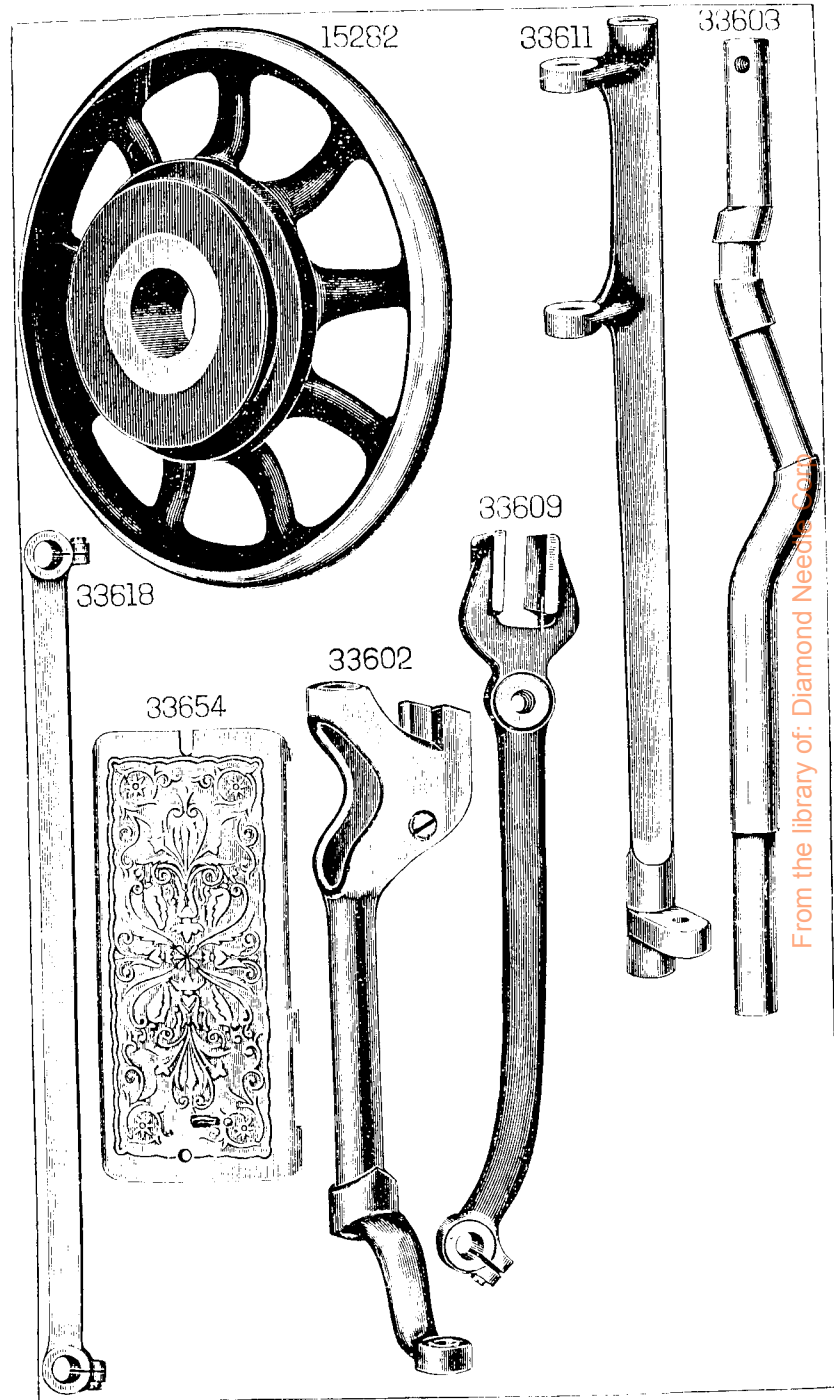
Form K5651
(Sup'des K3439)

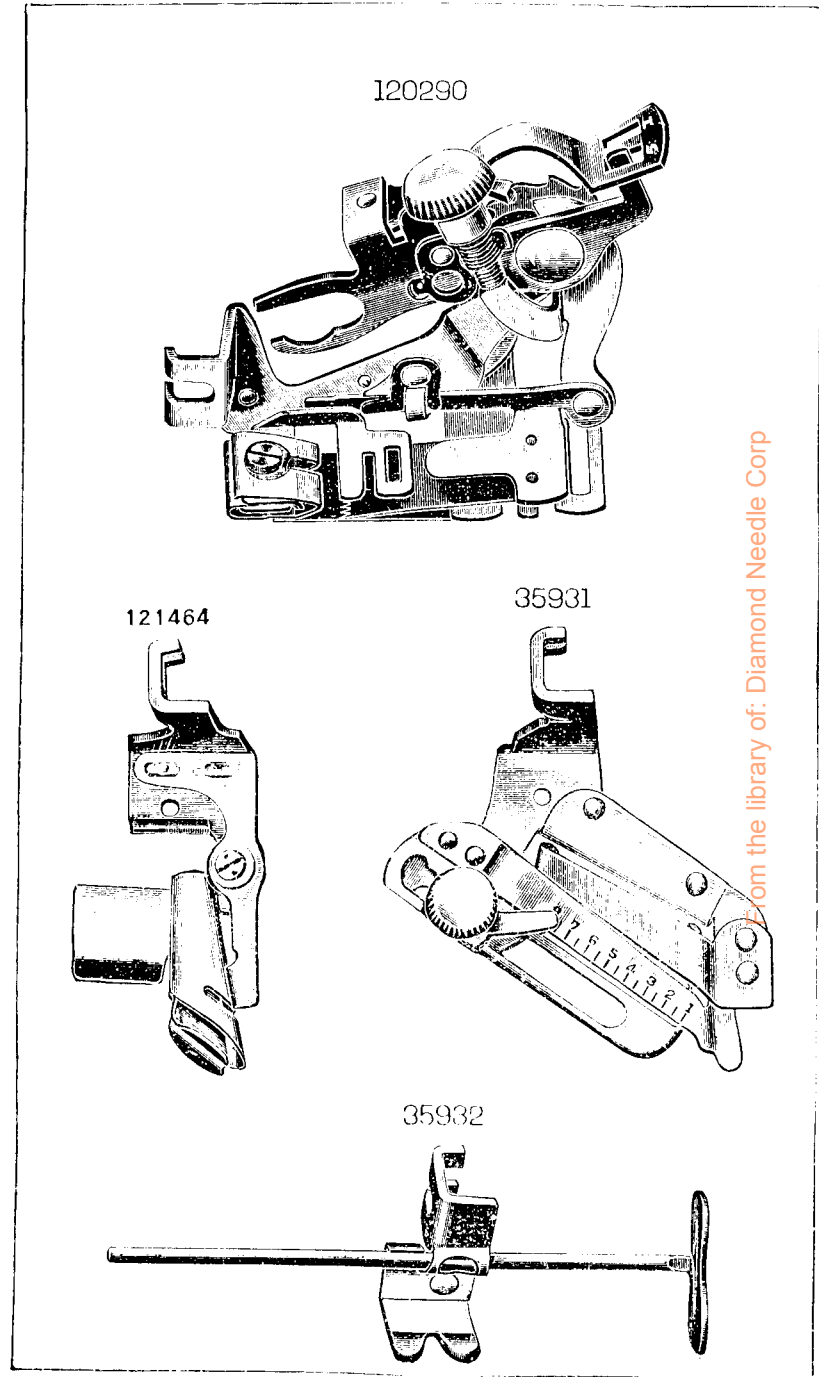
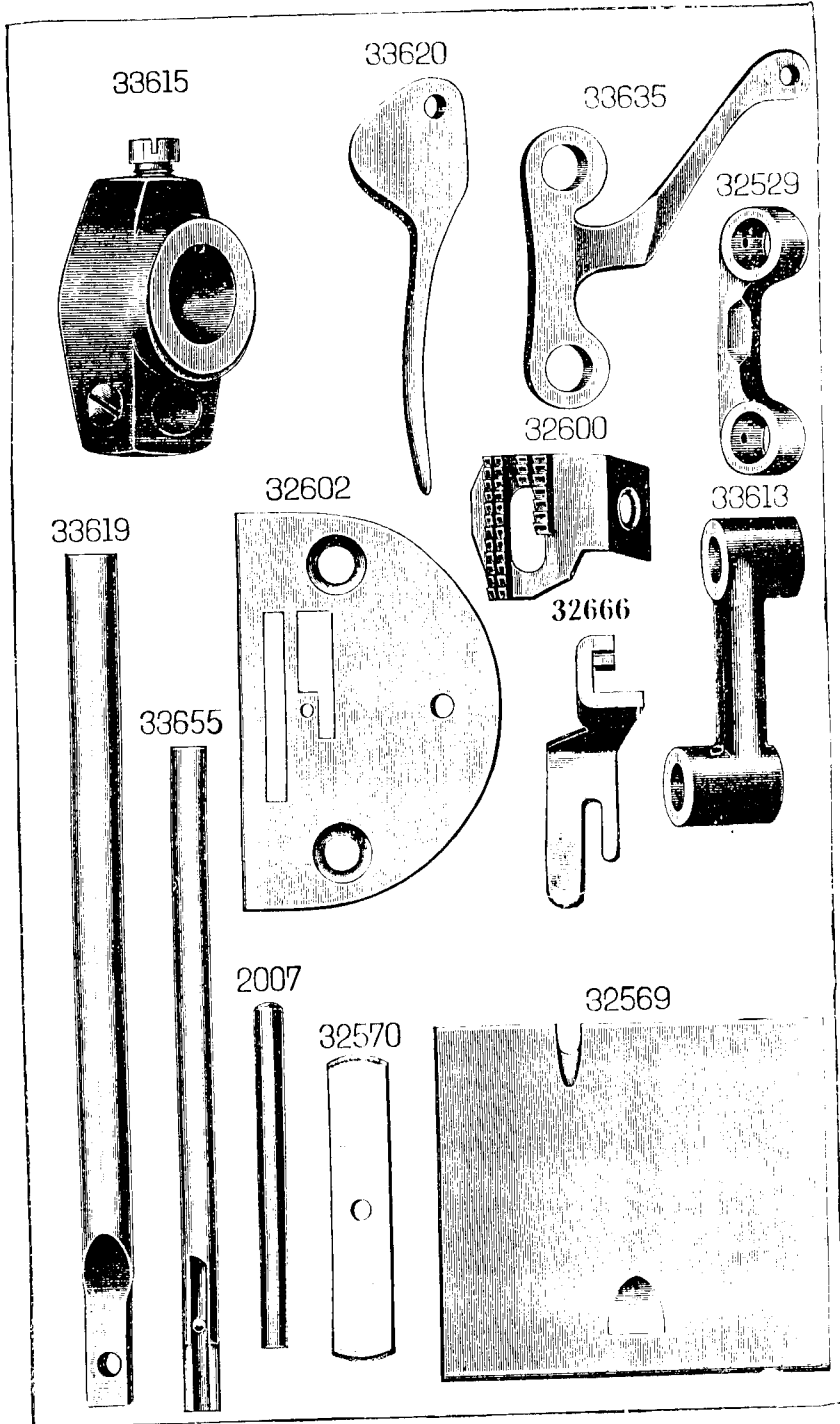
ILLUSTRATED
LIST OF PARTS
FOR
CLASS 99K
MACHINES



THE SINGER MANUFACTURING CO.

From the library of: Diamond Needle Corp

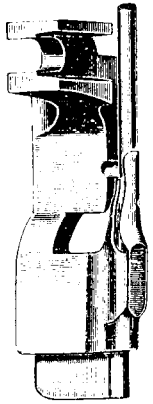




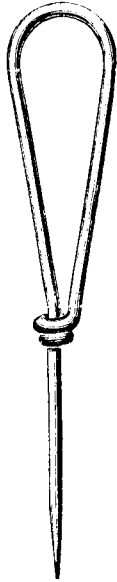
From the library of: Diamond Needle Corp

35985

35984



25539



35983



120842



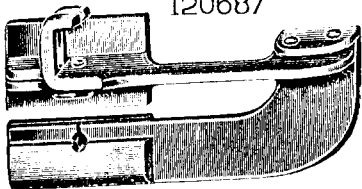
15429



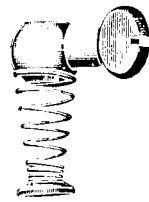
85893



120687



86496



86493



86494

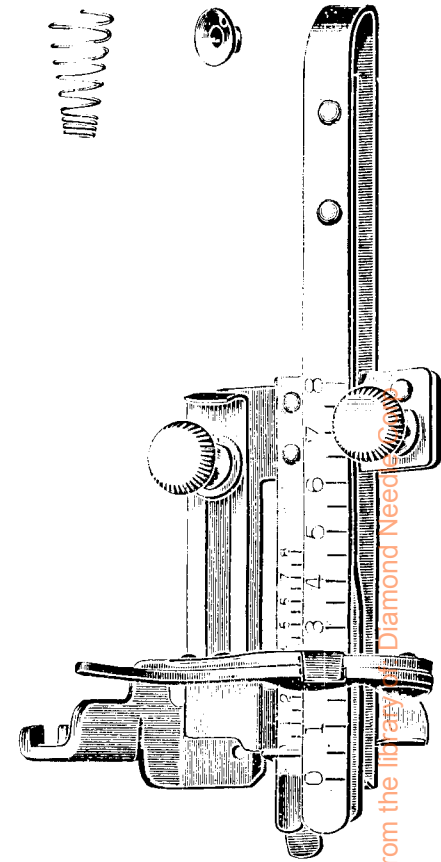


86495

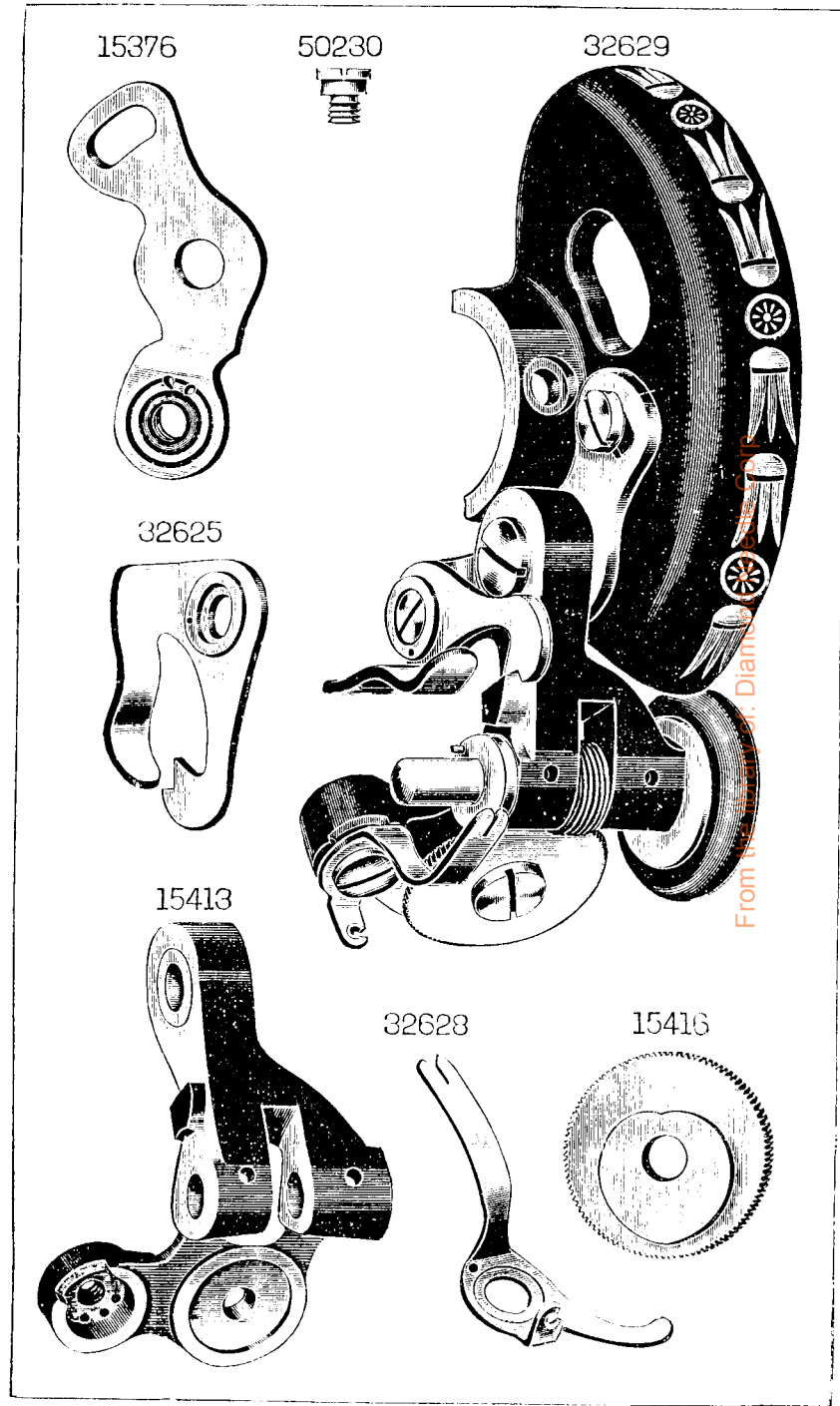
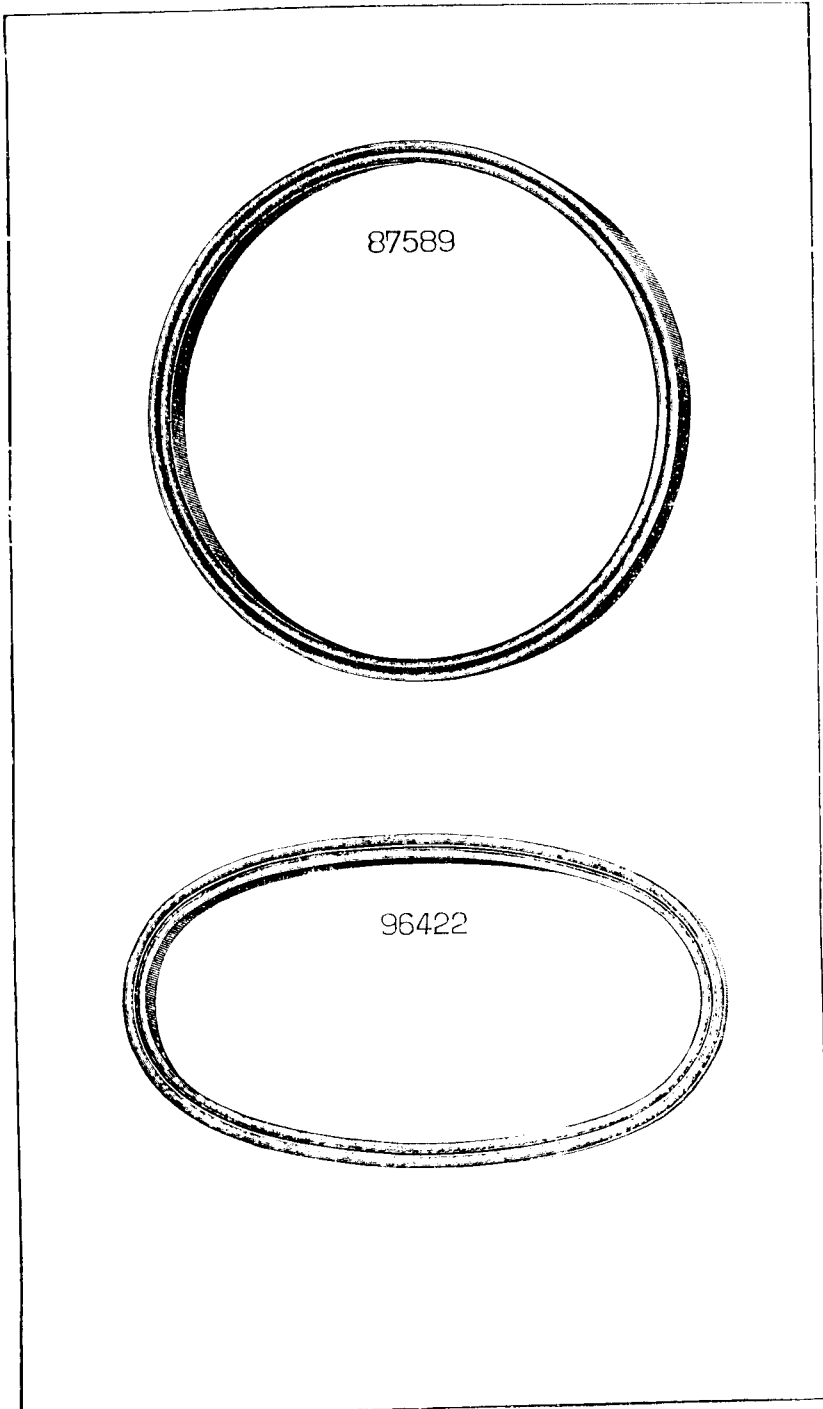


36583

552



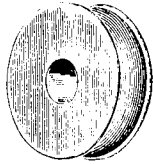
From the library of Diamond Needle



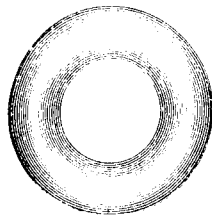
32550



15288



15287



2749



15366



15291



15286



15072



50



180



571



50058



50059



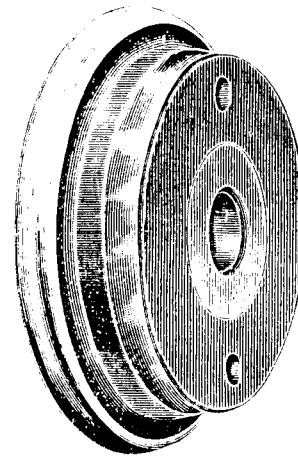
50061



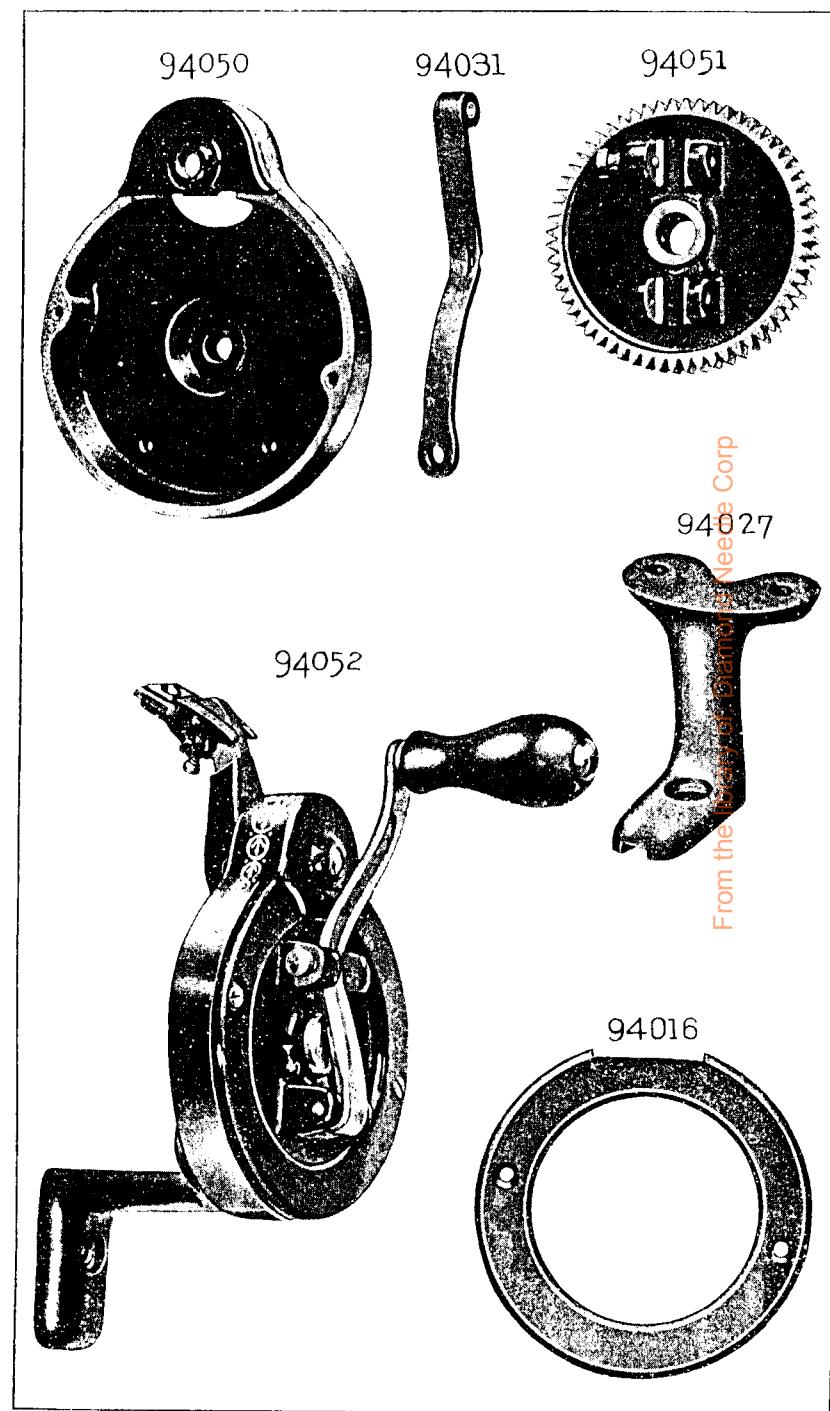
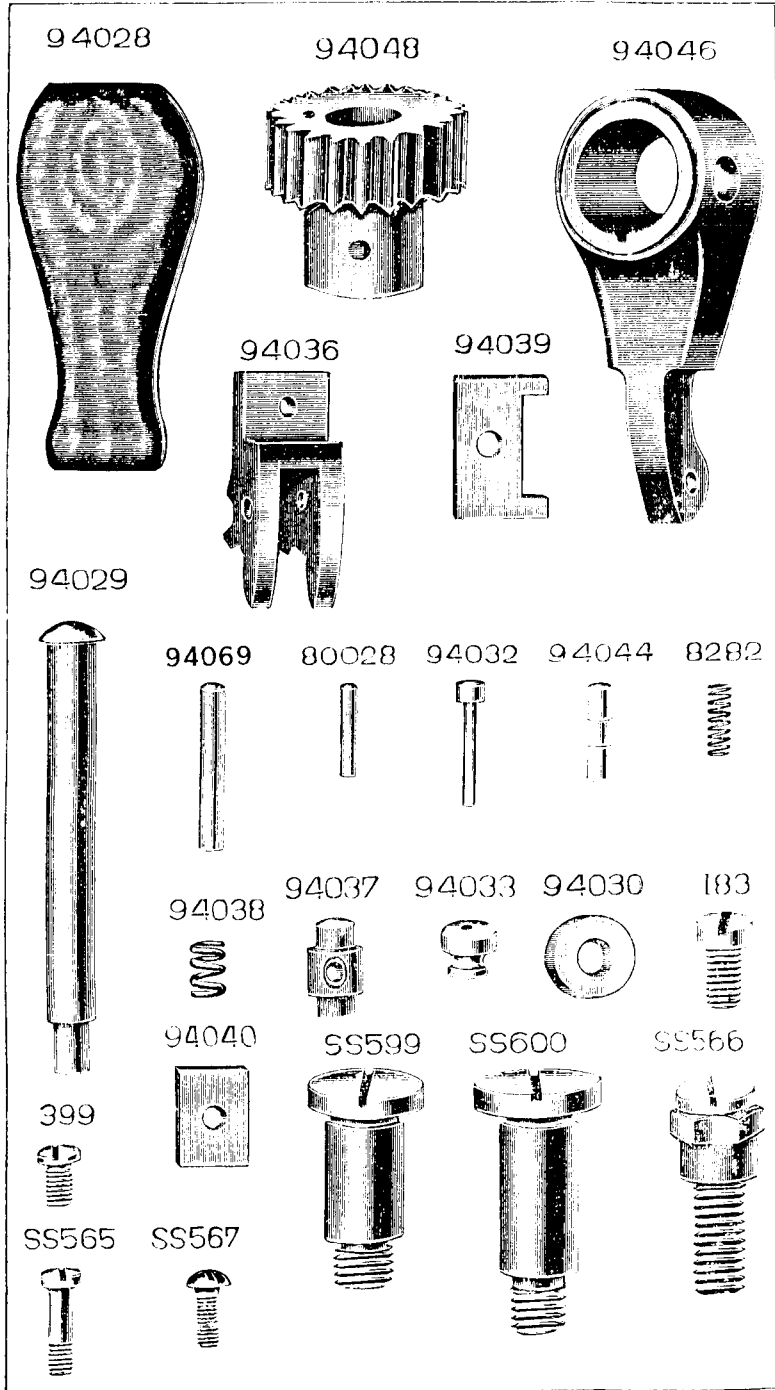
1528

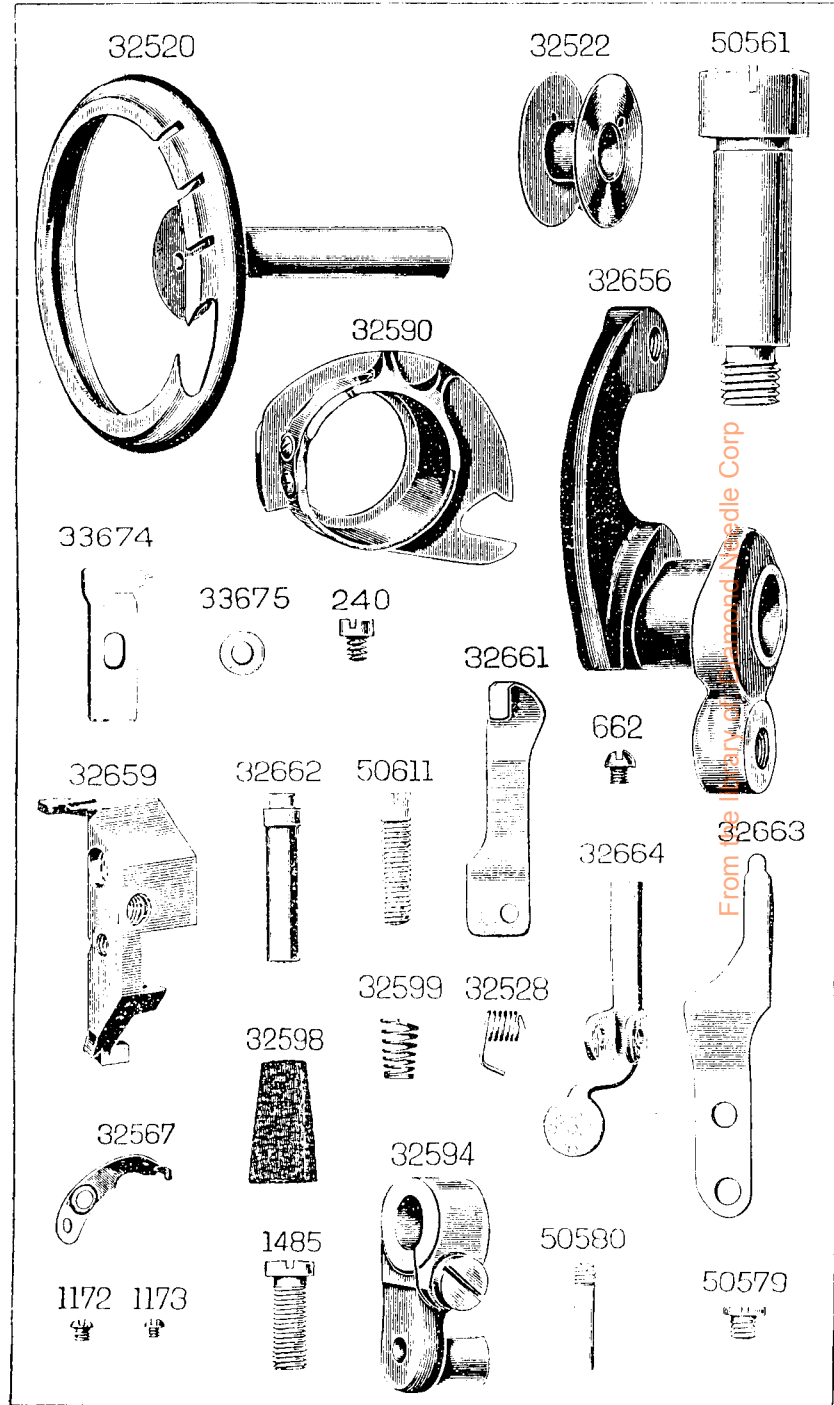
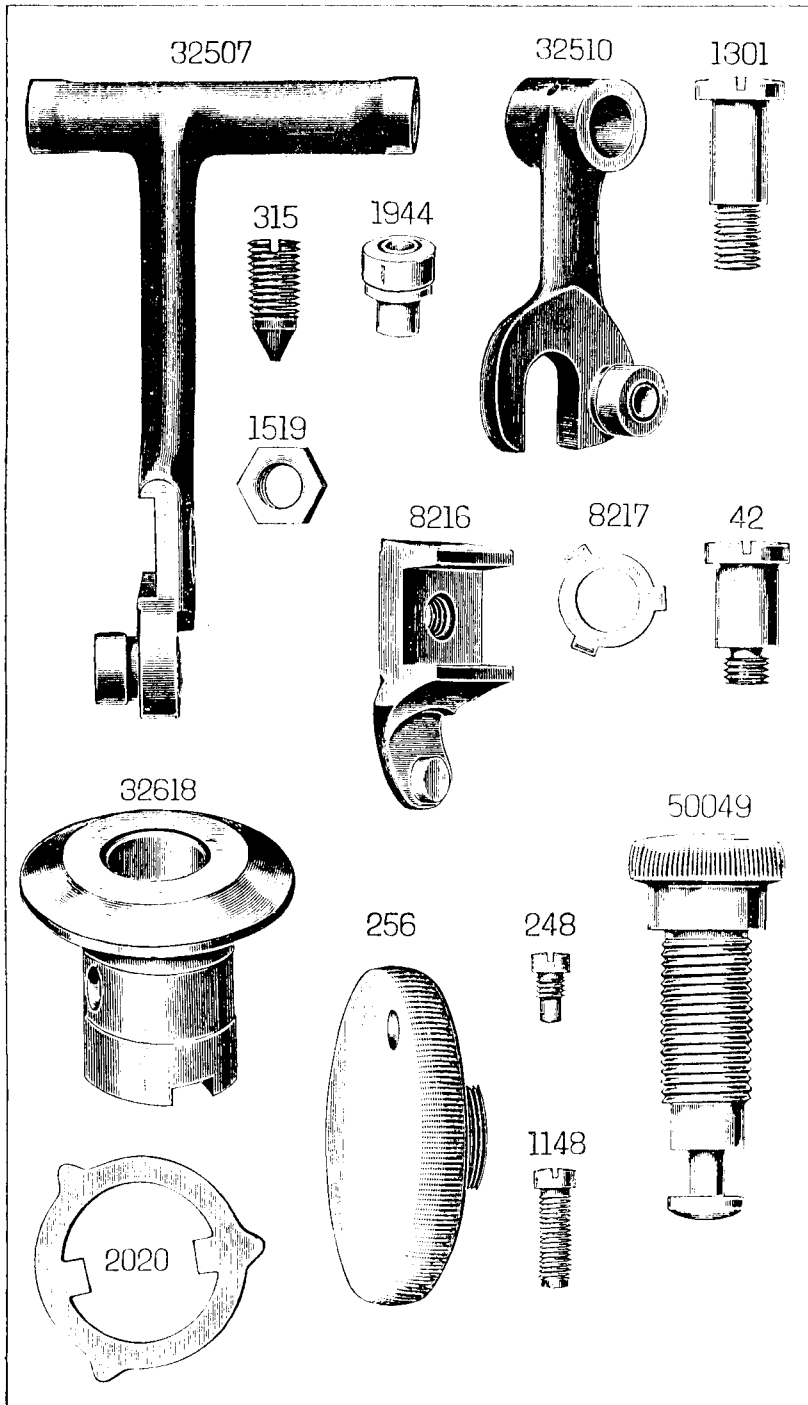


32672

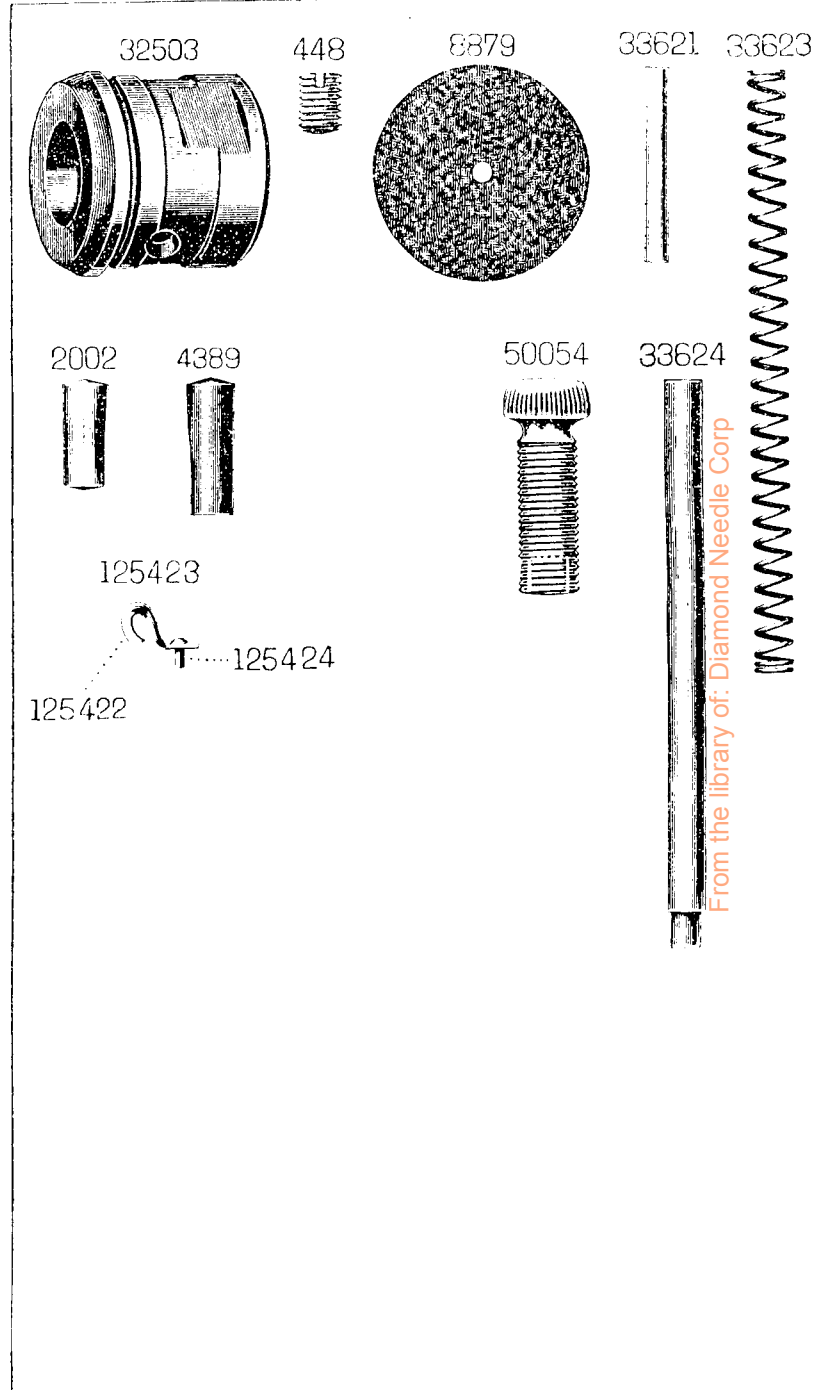
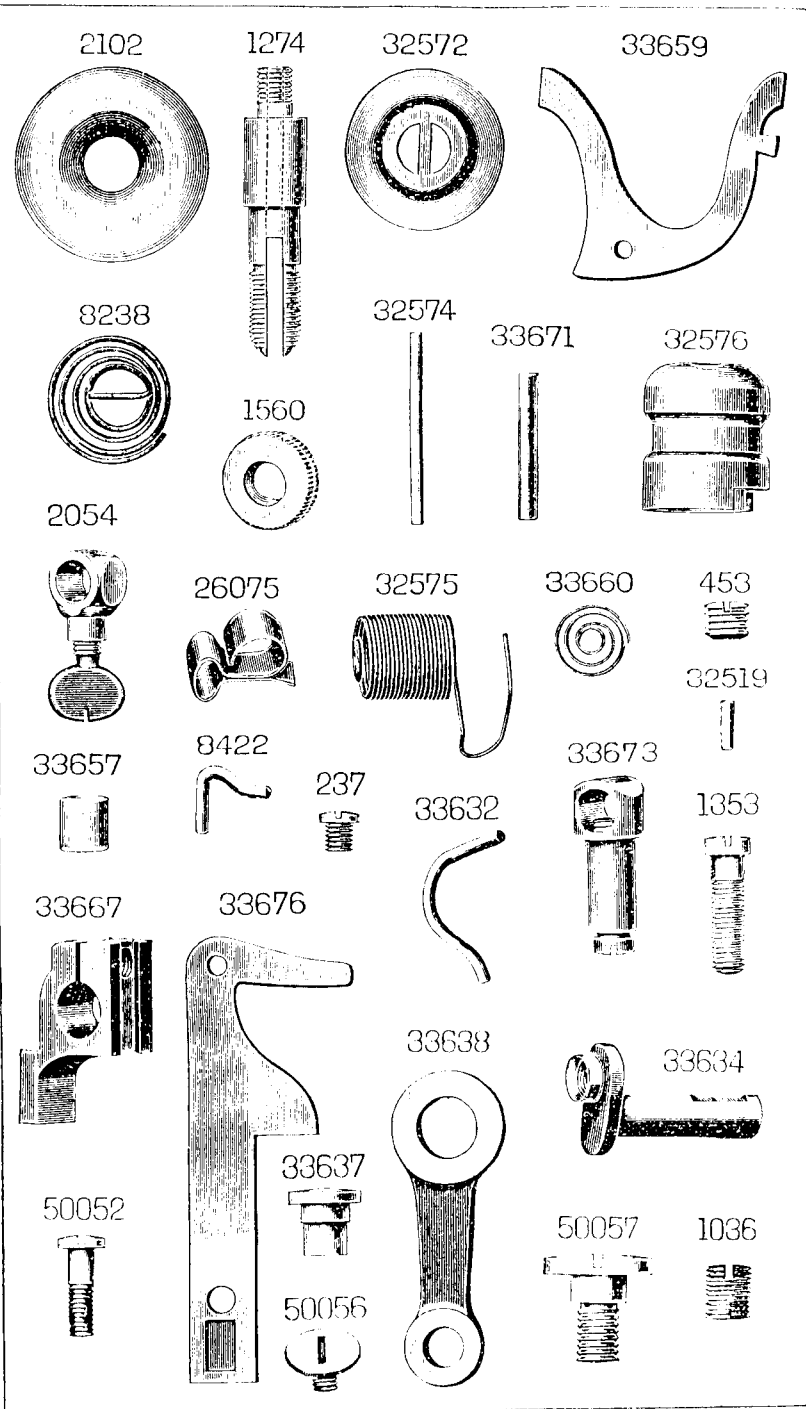


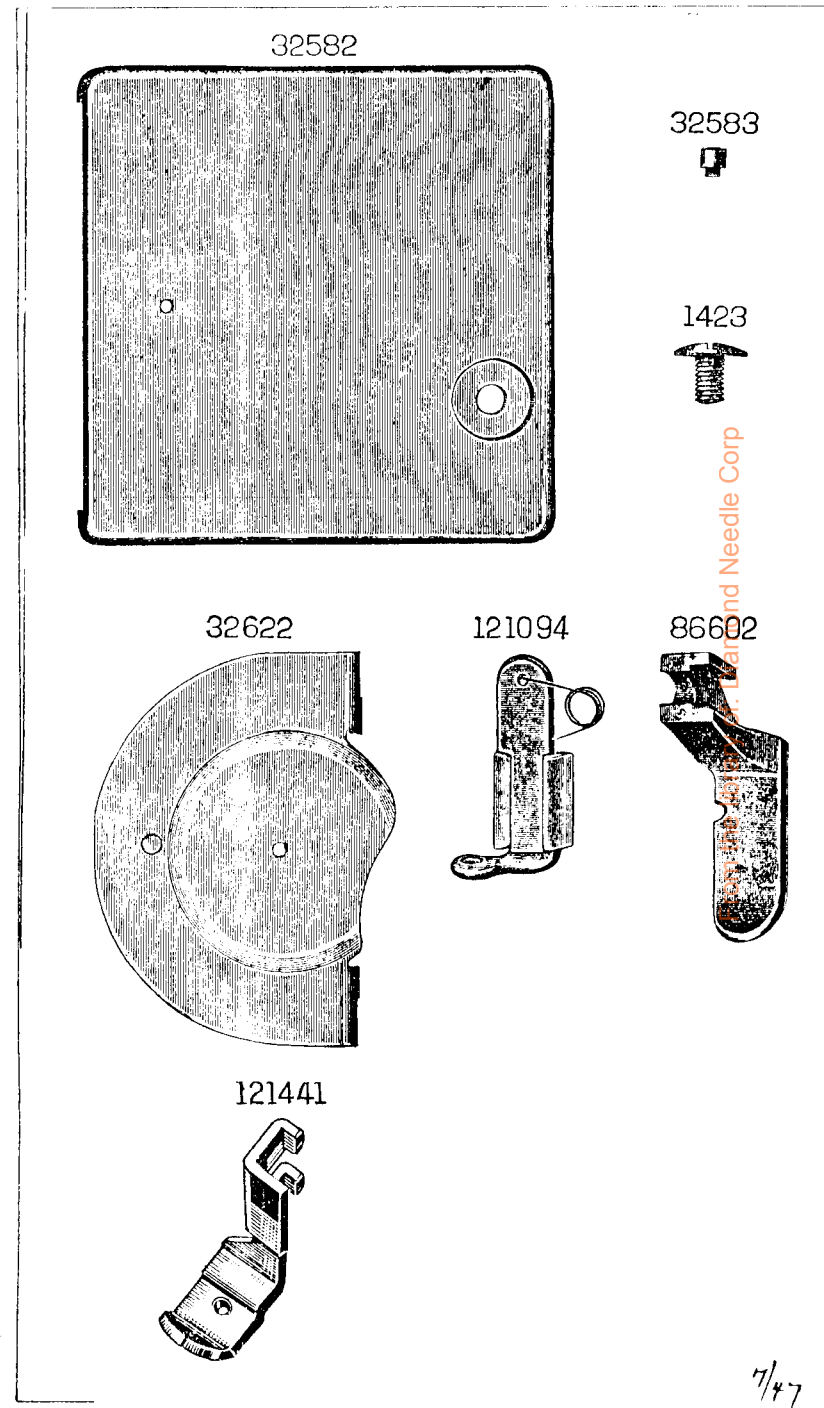
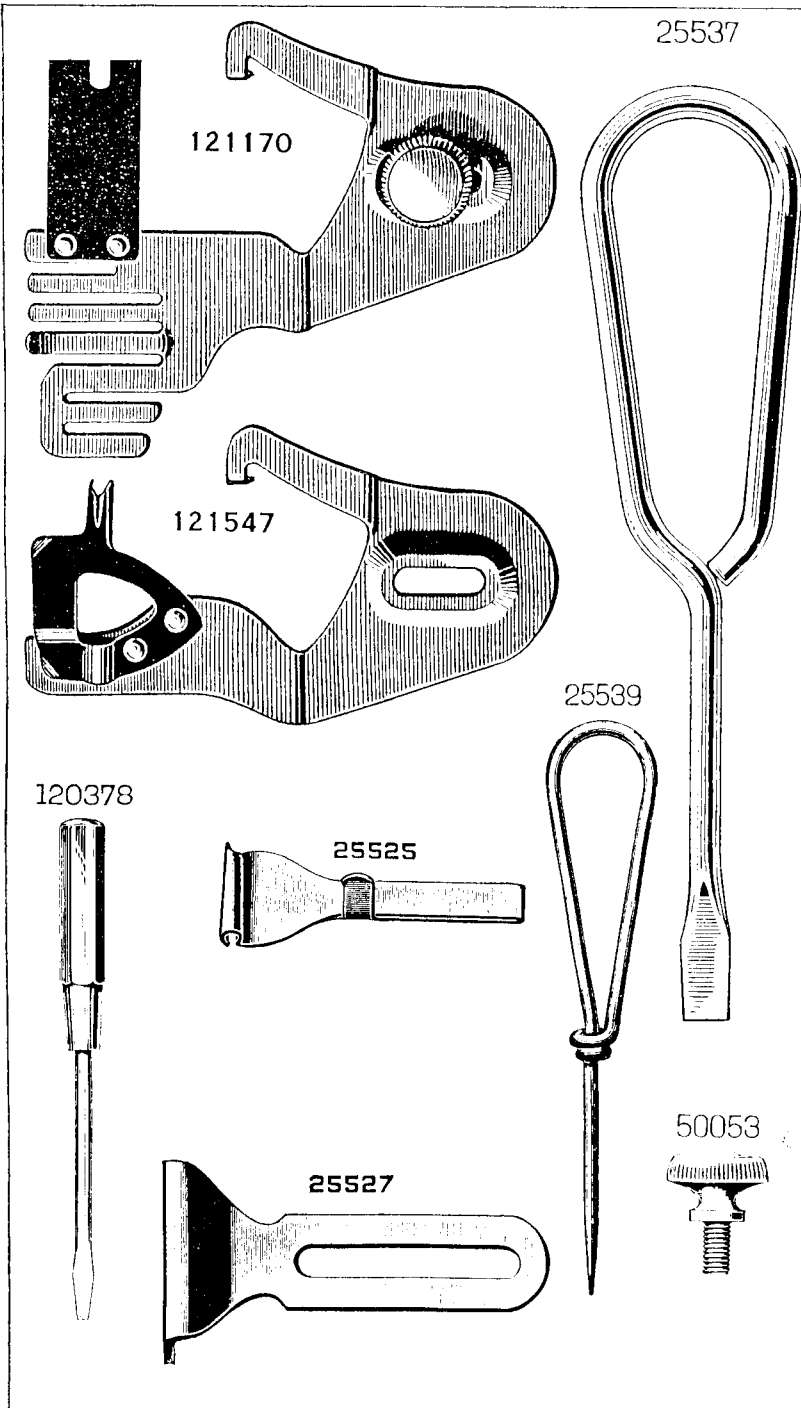
From the library of: Diamond Needle Corp

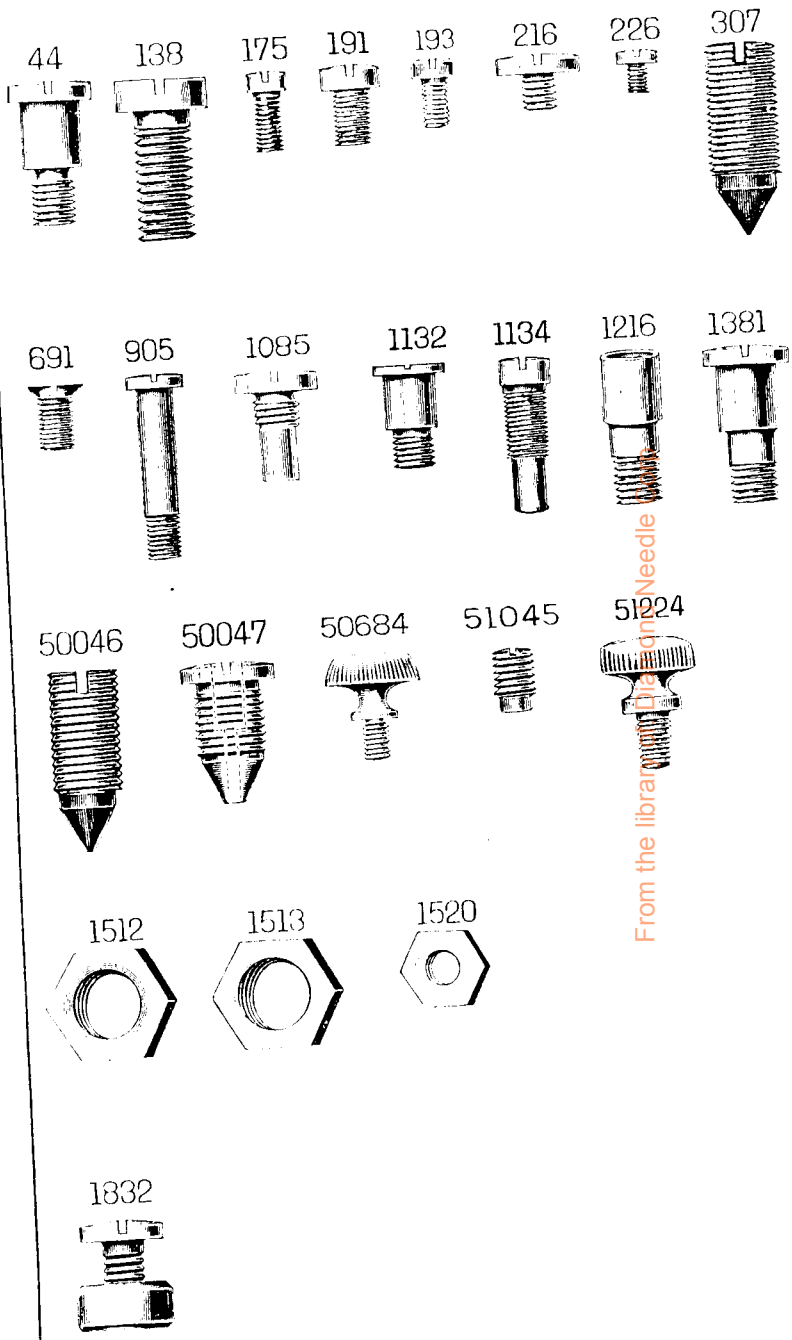
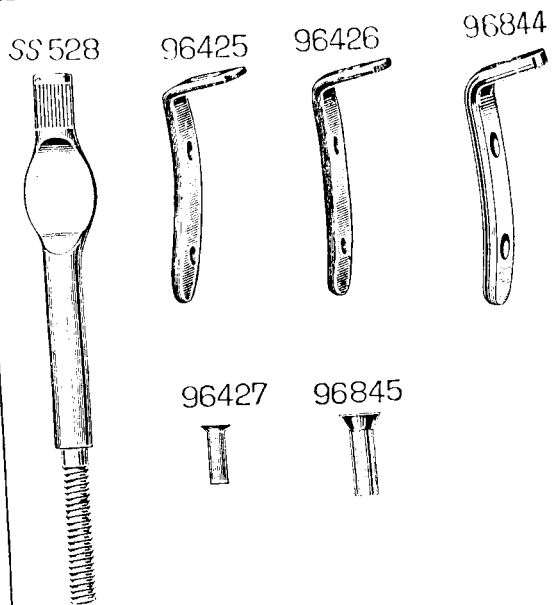




From the Library of Diamond Needle Corp







From the library of the National Library of Medicine

CONTENTS

Attachments and Accessories	38
Bobbin Winders	37
Hand Attachment	41
Machine Parts	33
Numerical List of Parts	43

From the library of: **Diamond Needle Corp**

INSTRUCTIONS FOR ORDERING

In ordering from this List, the prefix and affix letters with the part number **MUST BE** quoted exactly as they are shown in the first column.

A number always indicates the same part in whatever List it may appear, or for whatever machine.

The affix letters (where shown) indicate the style of finish, as follows:—

A.	Hardened, Polished, Nickel Plated and Buffed.
A.A.	Buffed and Chromium Plated.
A.B.	Hardened, Polished, Buffed and Chromium Plated.
A.C.	Brown Baking Enamel Finish.
A.D.	Grey Baking Enamel Finish.
A.E.	Hardened, Bright Rumbled and Nickel Plated.
A.F.	Hardened, Bright Rumbled and Nickel Plated, Bright Rumbled and Chromium Plated.
A.J.	Polished, Nickel Plated and Chromium Plated.
A.K.	Hardened, Polished, Nickel Plated and Chromium Plated.
A.L.	Heat Treated for Toughness.
B.	Polished, Nickel Plated and Buffed.
C.	Hardened only.
C.R.	Hardened and Merlized.
D.	Polished only.
E.	Soft, not Polished.
F.	Hardened and Polished.
F.J.	Hardened, Polished and Nickel Plated.
G.	Bright Rumbled and Nickel Plated.
H.	Blued.
J.	Nickel Plated only.
K.	Hardened and Nickel Plated.
L.	Brass Plated.
M.	Oxidized.
N.	Japanned, Dull.
P.	Japanned, Bright.
P.P.	Wrinkle Finish.
R.	Merlized.
S.	Cadmium Plated.
T.	Copper Plated.
T.A.	Hardened, Polished, Copper and Nickel Plated and Buffed.
T.B.	Copper and Nickel Plated and Polished.
T.J.	Copper and Nickel Plated only.
T.K.	Hardened, Copper and Nickel Plated.
T.L.	Copper and Brass Plated.
T.M.	Copper Plated and Oxidized.
U.	Zinc Plated.
V.	Silver Plated.
W.	Polished and Nickel Plated.
X.	Black Oxide for Iron and Steel.
X.G.	Hardened and Black Oxide for Iron and Steel.
Y.	Black Nickel Plated only.
Z.	Chromium Plated.
Z.A.	Hardened, Polished, Nickel Plated, Buffed and Chromium Plated.
Z.B.	Polished, Nickel Plated, Buffed and Chromium Plated.
Z.C.	Hardened and Chromium Plated.
Z.D.	Polished and Chromium Plated.
Z.G.	Bright Rumbled, Nickel Plated, Bright Rumbled and Chromium Plated.
Z.I.	Nickel and Chromium Plated.
Z.T.	Copper and Chromium Plated.

Parts marked with an asterisk (*) are furnished only when the repairs are made at Factory.

PARTS COMPLETE

FOR

Class 99K Machines

(Nos. 99K13, 99K21 and 99K22)

Horizontal Oscillating Hook ; Stationary Bobbin Case ; for Family Use

No.	Plate			
*33651	—	Arm with 448c, 15404, 32503 and two 15405
2002	2396	" Dowel Pin (2)
4389	2396	" " " (for repairs only)
33602	892	" Rock Shaft with 905e
	905e	" " " Adjusting Screw
50046c	2400	" " " Screw Centre (lower)
1512e	2400	" " " " " (") Nut
50047c	2400	" " " " " (upper)
	138c	" Screw (3)
33603	892	" Shaft
32503	2396	" " Bushing
	448c	" " " Set Screw
	2007	" Spool Pin
	8879	" " " Washer (cloth)
32672	1722	Balance Wheel, 3¼" pulley, for 99K13 Machine
15282	892	" " 2¼" pulley, for 99K21 and 99K22 Machines
*33653	—	Bed
	256b	Clamp Stop Motion Clamp Screw
	248a	" " " " Stop Screw
	2020	" " " " Washer
32618	2393	" " " Flanged Bushing
1148al	2393	" " " " Set Screw
32619	—	Clamp Stop Motion, complete, Nos. 248a, 256b, 1148al, 2020 and 32618
*33663	—	Face Plate
33664	892	" " 33663 with 125423
	193b	" " Screw
125422	2396	" " Thread Guard
125423	2396	" " " " 125422 with 125424
125424	2396	" " " " Rivet
50684b	2400	" " Thumb Screw

From the library of: Diamond Needle Corp.

No.	Plate						
32507	2393	Feed Bar	with 1944
1944	2393	" "	Roller and Stud
315c	2393	" "	Screw Centre (2)
1519j	2393	" "	" " Nut (2)
32600	895	Feed Dog	
191k	2400	" "	Screw
33609	892	Feed Forked Connection	with 175j
175j	2400	" "	" Adjusting Screw
1381c	2400	" "	" Hinge Screw (eccentric)
1520j	2400	" "	" " Nut
1832	2400	" "	" Roller with 1085e
1085e	2400	" "	" Screw Stud
32510	2393	Feed Raising Bar	with 1944
1301c	2393	" "	" Hinge Screw
1944	2393	" "	" Roller and Stud
50049b	2393	Feed Regulating Thumb Screw	
8216	2393	Feed Regulator	
8217	2393	" "	Friction Washer
42c	2393	" "	Hinge Screw
33611	892	Feed Rock Shaft	
307c	2400	" "	" Screw Centre (2)
1513j	2400	" "	" " Nut (2)
51045c	2400	Machine Hinge Connection Set Screw	(2)
33655	895	Needle Bar	with 32519
33613	895	" "	Connecting Link
33678	—	" "	" " 33613 with 33673
33673	2395	" "	" Stud with 1353al
1353al	2395	" "	" " Set Screw
33615	895	" "	" Crank with 1036c and 1134c
1134c	2400	" "	" Position Screw
33657	2395	" "	" Hole Plug
2054	2395	Needle Clamp	with 552er... 140545c
140545c	552er	" "	" Thumb Screw
32519	2395	" "	" Stop Pin

No.	Plate						
32520	2394	Oscillating Hook	
32626	—	" "	32520 with 32590
33674	2394	" "	" and Needle Bar Timing Gauge
240c	2394	" "	" " " " " " " " Screw
33675	2394	" "	" " " " " " " " Washer
32656	2394	" "	" Bell Crank
50561c	2394	" "	" " Hinge Screw
32522	2394	" "	" Bobbin
32590	2394	" "	" Case with 1172f, 1173d and 32567
32661	2394	" "	" " Cushion Spring
662d	2394	" "	" " " " " " Screw
32659	2394	" "	" " Position Bracket
32662	2394	" "	" " " " " " Hinge Stud...
50611j	2394	" "	" " " " " " " " " "
32663	2394	" "	" " " " " " " " Latch
50579d	2394	" "	" " " " " " " " Screw...
32598	2394	" "	" " " " " " " " Oil Pad (felt)
32599	2394	" "	" " " " " " " " " Holder
32660	—	Oscillating Hook	Bobbin Case Position Bracket, complete, Nos. 662d, 32528, 32598, 32599, 32659, 32661 to 32664, 50579d and 50580e
1172f	2394	Oscillating Hook	Bobbin Case Tension Regulating Screw
32567	2394	" "	" " " " " " Spring
1173d	2394	" "	" " " " " " " " Screw
32664	2394	" "	" " " " " " Ejector
50580e	2394	" "	" " " " " " Hinge Screw Stud
32528	2394	" "	" " " " " " Spring
32529	895	" "	" " " " " " Connecting Link
1132c	2400	" "	" " " " " " Hinge Screw
32594	2394	" "	" " " " " " Crank with 1485c
1485c	2394	" "	" " " " " " Clamping Screw
33618	892	" "	" " " " " " Pitman with two 175j
175j	2400	" "	" " " " " " Adjusting Screw
44c	2400	" "	" " " " " " Hinge Screw
1216c	2400	" "	" " " " " " Screw Stud
1520j	2400	" "	" " " " " " Nut
216c	2400	" "	" " " " " " Screw
32569	895	" "	" " " " " " Slide
32570	895	" "	" " " " " " Friction Spring
226d	2400	" "	" " " " " " " " Screw
33619	895	Presser Bar	(hollow)
33620	895	" "	" Lifter
33621	2396	" "	" " Hinge Pin
33667	2395	" "	" " Lifting Bracket with 50052e

From the library of Damning Needs Co.

6/49

No.	Plate	
33669	---	Presser Bar Lifting Bracket 33667 with 33676
50052e	2395	" " " " Clamping Screw
33623	2396	" " Spring
32666	895	Presser Foot
51224b	2400	" " Thumb Screw
50054b	2396	Pressure Regulating Thumb Screw
33624	2396	" " " " Extension Pin
33676	2395	Slack Thread Regulator
2102	2395	Tension Disc
1560g	2395	" Regulating Thumb Nut
32572	2395	" Releasing Disc
33659	2395	" " Lever
33671	2395	" " " Hinge Pin
33660	2395	" " " Spring
32574	2395	" " Pin
1274b	2395	" Screw Stud
8238	2395	" Spring
32654	---	Tension , complete, Nos. 1274b, 1560g, 8238, 32572, 32574 to 32576 and two 2102
26075	2395	Thread Cutter and Holder
33632	2395	Thread Guard (front of arm)
237a	2395	" " (" ") Set Screw
8422	2395	" " (head of arm)
33634	2395	" Take-up Crank
1036c	2395	" " " Set Screw
33635	895	" " Lever
33636	---	" " " complete, Nos. 33635, 33637 and 33638
33679	---	" " " 33636 with 33634, 33678, 50056e and 50057c
50056e	2395	" " " Cap Screw
33637	2395	" " " Hinge Stud
33638	2395	" " " Link
50057c	2395	" " " Hinge Screw
32575	2395	" " Spring
32576	2395	" " " Regulator
453c	2395	" " " " Set Screw
32602	895	Throat Plate for 32600
691a	2400	" " Screw
*15404	---	Trade Mark
15405	---	" " Rivet
94013	---	Drip Pan (for Machine on Cover Set)

BOBBIN WINDER (Automatic)

FOR USE WITH BALANCE WHEEL No. 15282

No.	Plate	
15376	1424	Adjusting Arm
50058b	1548	" " Screw
15072	1548	Bobbin Position Pin
32604	---	Bracket (belt cover)
180b	1548	" Screw
15413	1424	Frame
32655	---	" 15413 with 571c, 15288 and 32550
50059b	1548	" Hinge Screw
15286	1548	" Spring
15287	1548	Friction Ring (rubber)
15288	1548	Pulley
32550	1548	Spindle with 15072
571c	1548	" Worm
32625	1424	Stop Latch
50230b	1424	" " Hinge Screw
15291	1548	" " Spring
32628	1424	Thread Guide
50061b	1548	" " Hinge Screw
15366	1548	" " Spring
15416	1424	Worm Wheel and Thread Guide Cam
2749	1548	" " " " " " Friction Washer
50b	1548	" " " " " " Screw Stud
1528j	1548	" " " " " " " " Nut
32629	1424	Bobbin Winder (automatic), complete, Nos. 50b, 1528j, 2749, 15286, 15287, 15291, 15366, 15376, 15416, 32604, 32625, 32628, 32655, 50058b, 50059b, 50061b and 50230b

BOBBIN WINDER (Automatic)

FOR USE WITH BALANCE WHEEL No. 32672

This Bobbin Winder is the same as No. 32629 with the following exceptions:—

No.	Plate	
32673	---	Bracket (belt cover)
32674	---	Bobbin Winder (automatic), complete, Nos. 50b, 1528j, 2749, 15286, 15287, 15291, 15366, 15376, 15416, 32625, 32628, 32655, 32673, 50058b, 50059b, 50061b and 50230b

ATTACHMENTS

Attachment Set

No.	Plate	
121464	930	Binder
36865	—	Edge Stitcher
121441	2398	Gathering Foot (double toe)
35931	930	Hemmer (adjustable)
15x1	—	Needles (6)
86642	—	Ruffler
25537	2397	Screw Driver (machine)
120378	2397	" (bobbin case)
8879	2396	Spool Pin Washer (cloth)
160810	—	Set of Attachments, Complete, Nos. 25537, 35931, 36865, 86642, 120378, 121441, 121464, two 8879 and six needles

160811	—	Set of Attachments (less needles) Complete, Nos. 25537, 35931, 36865, 86642, 120378, 121441, 121464 and two 8879

120842	1151	Hemmer (foot) $\frac{5}{8}$ " hem
32522	2394	Oscillating Hook Bobbin (3)
120861	—	Tin of Oil (3 oz.)

25525	2397	Bias Gauge
25527b	2397	Cloth Guide
50053b	2397	" and Under Braider Thumb Screw
120687	1151	Imitation Hemstitching Attachment with Yielding Presser Plate
35932	930	Quilter
121170	2397	Ruffler Shirring Plate
25539	2397	Stiletto
36583	1160	Tucker
121547	2397	Under Braider

PRESSER FOOT

For Cording and Slide Fastener Work

No.	Plate	
121875	—	Presser Foot
140347w	—	" " Adjusting Thumb Screw
121876	—	" " Body
121877	—	Presser Foot (adjustable for sewing on the right or left side of the needle), complete, Nos. 121875, 121876 and 140347w

CORDING FEET

For Stitching on Edge and Inserting Cord

No.	Plate	
15429	1151	Presser Foot (left toe)
125035	—	" " (right toe)

NEEDLE THREADERS

No.	Plate	
36804	—	Needle Threader Hook for 36806
120327	—	" " " " 120328
50315j	—	" " " Screw
36806	—	Needle Threader , complete, for Needle size 11 and above
120328	—	Needle Threader , complete, for Needle size 9

TUBULAR TRIMMING ATTACHMENT

FOR MAKING $\frac{3}{32}$ ", $\frac{1}{8}$ " and $\frac{5}{32}$ " TRIMMINGS

No.	Plate	
35984	1151	Presser Foot (strip folding) with Tube
25539	1151	Stiletto
35983	1151	Strip Wire

NOTE.—When ordering 35983 state size of attachment with which it is to be used.

35985	1151	Tubular Trimming Attachment , complete, Nos. 25539, 35983 and 35984
-------	------	--

NOTE.—When ordering 35985 state size required.

ART WORK AND DARNING

No.	Plate	
86493	1160	Darning Presser Needle Clamp with 5521 140545K
86494	1160	" " " " Stripper Spring
86495	1160	" " " " " " Eyelet
140545 5521	1160	" " " " " " Thumb Screw
86496	1160	Darning Presser , complete, Nos. 86493 to 86495
121094	2398	Spring Darning Foot
85893	1151	Embroidery Foot
32582	2398	Feed Cover Plate with 1423b and 32583
32583	2398	" " " Position Stud
1423b	2398	" " " Screw
32622	2398	Feed Cover Plate

From the library of: Diamond Needle Corp

6149

